

gemini
ITALY

**GEMINI PURIFICARE
HEPA FILTER
AIR PURIFIER**

**HEPA 高效濾網
空氣清淨機**

MODEL NO.: GAP23G



A GILMAN GROUP BRAND

Please read and retain for future reference.

SAFETY INSTRUCTION - GENERAL

- Use this appliance solely in accordance with these instructions.
- This appliance is for household personal use only, not for commercial purpose.
- Remove all packaging material from the appliance before use.
- This appliance shall not be used by children of 0 to 8-year old.
- This appliance can be used by children older than 8-year old and persons with reduced physical, sensory or mental capabilities or lack of experience and knowledge, but only if they have been given supervision or instruction concerning use of the appliance in safe way and understand the hazards involved.
- Children should be supervised to ensure that they do not play with the appliance.
- Cleaning and maintenance must not be done by children.
- Have any repairs carried out solely by a qualified electrician. Never try to repair the appliance yourself.
- Do not handle the plug or appliance with wet hands.
- Do not immerse the main body in water.
- Children shall not play with the appliance.
- Do not leave the appliance unattended when connected to the mains supply.
- Only use the attachments/accessories supplied with the product.

SAFETY INSTRUCTION - ELECTRICITY AND HEAT

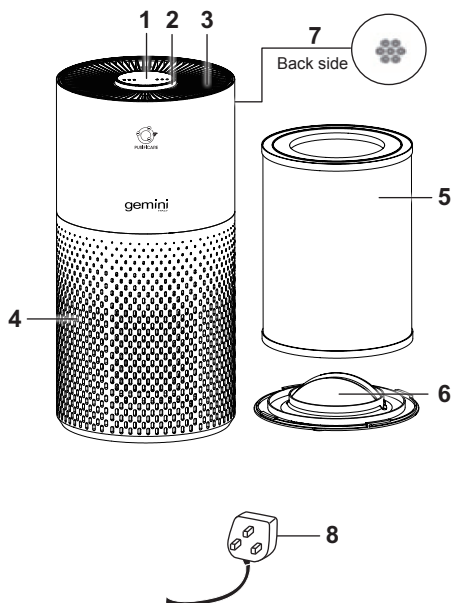
- Ensure the appliance is in placed on a horizontal, even and stable surface.
- Verify that the mains voltage is the same as that indicated on the rating plate on the appliance before use.
- Make sure that you always use a grounded wall socket to connect the appliance.
- Always remove the plug from the wall socket when the appliance is not in use.
- Remove the plug from the wall socket by pulling the plug, not the power cord.
- Make sure that the appliance, the power cord and plug do not make contact with water.
- Make sure that the appliance, the power cord and plug do not make contact with hot surface, such as a hot hob or naked flame.
- Check the appliance's power cord regularly to make sure it is not damaged.
- Do not use the appliance if the power cord is damaged. If the power cord is damaged, it must be replaced by an electrical technician or a person with similar qualification, in order to avoid any hazards.

SAFETY INSTRUCTION - DURING OPERATION

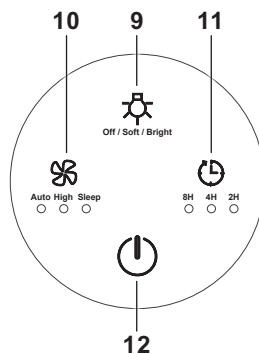
- Leave at least 30cm of space on the back and sides of the product, and at least 50cm of space above the product when using.
- Please remove the packaging of the HEPA filter before using for the first time.
- Do not pick up the appliance if falls into water. Remove the plug from the socket immediately. Do not use the appliance again.
- Never immerse the appliance, the power cord or the plug in water or any liquid.
- Do not use the liquids, such as water or flammable solvents to clean the product, please use a soft cloth to clean when product not in running.
- Please keep air circulation and do not cover air inlet/outlet and detect air quality sensor when the product is running.
- Do not use other type power adapters, keep use the original accessories which accompany with the package.
- Please refer to “Cleaning and Storage” section to clean the appliance.

PRODUCT OVERVIEW

Main unit



Control panel



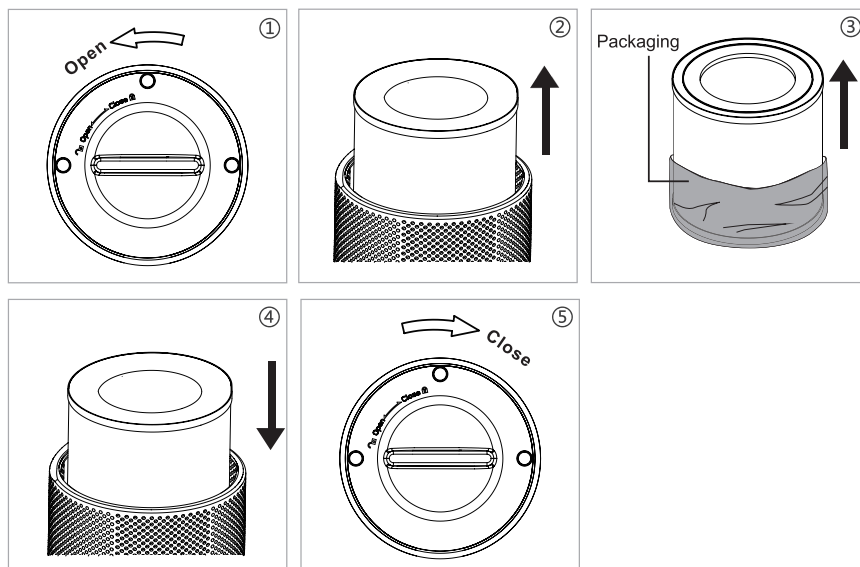
Main Unit

1. Control Panel
2. LED Light Ring
3. Air outlet
4. Air inlet
5. 3-IN-1 HEPA filter
6. Base Cover
7. Detect air quality sensor
8. Adaptor

Control panel

9. LED ring light touch button (Off/ Soft/Bright)
10. Wind speed touch button (Auto/High/Sleep)
11. Timer Off setting touch button (8H/4H/2H)
12. Power On/ Off touch button

INSTALLATION FILTER



- Invert the appliance, and rotate the base cover along the direction marked “OPEN”. (Pic 1)
- Take out the 3-IN-1 HEPA filter from the appliance. (Pic 2)
- Remove the packaging of the 3-IN-1 HEPA filter. (Pic 3)
- Install the 3-IN-1 HEPA filter into the appliance. (Pic 4)
- Then install the base cover, rotate and tighten the base cover along the direction marked “CLOSE”. (Pic 5)

WARNING

- Please remove the polybag packaging of the 3-IN-1 HEPA filter before using for the first time.
- Ensure the appliance is unplugged before removing or installing the 3-IN-1 HEPA filter.

FILTER REPLACEMENT

- When the LED light ring keeps flashing in red as filter replacement warning indicator, the filter should be replaced.
- When you replace a new 3-IN-1 HEPA filter, connect the power supply again, press and hold the ON/OFF touch button for 5 seconds to disengage the red warning indicator for replacing the filter

NOTE:

- User use the appliance at the first time, after remove the polybag of the filter and install it in place. No need to reset the filter.
- For best performance, suggest replacing a new 3-IN-1 filter around 3-6 months.

OPERATING INSTRUCTION

Power ON/ OFF Touch Button

- Touch the power ON/OFF touch button to turn on the appliance, hear a “beep” sound. And the default setting is High wind mode, the corresponding wind speed indicator lights on.
- Touch the button again to turn off the appliance, the “beep” sound rings for once and the appliance will turn off with all lights turn off.

Wind Speed Touch Button

- During the working, you will hear a “Beep” sound when you touch the wind speed touch button each time. Touch the wind speed touch button to set among the wind speeds of Sleep-High-Auto, and the corresponding white indicator lights on.
- Auto mode means the wind speed will automatically adjust according to air quality.
- Red LED light ring - Bad air quality (default High wind speed setting automatically)
- Yellow LED light ring - Normal air quality (default Mid wind speed setting automatically)
- Blue LED light ring - Good air quality (default Low wind speed setting automatically)
- High Wind Mode: connect the power supply, the light ring will turn among blue, cyan, green, yellow, red, purple. After around 30 seconds, the appliance will detect automatically based on detect air quality to display the air quality condition, the LED light ring (Blue/Yellow/Red), but the wind speed keeps at high wind mode.
- Sleep Mode: runs at low wind speed, the LED light ring will at the purple gradient for about 3 seconds, then the appliance will detect the air quality automatically by the detect air quality sensor to display the LED light ring (Blue/ Yellow/ Red), if no operation for about 5 seconds, all light ring will be off. Press any button can wake up the light.

LED Light Touch Button

- During the working, touch the LED ring light touch button, hear a “Beep” sound, and to set Soft light or Bright light mode of the LED light ring. Touch the button again, hear a “Beep” sound, the LED light ring turn off completely.

NOTE: The LED light button can not operate in the status of shutdown.

Timer Off Setting Touch Button

- During the working, touch the Timer off touch button to set among the circulation of 8H, 4H and 2H timer off with a “Beep” sound, and the corresponding white indicator lights on.
- Touch again, the timer indicator turns off and the appliance will work continuously without timer setting.
- In the status of timing the appliance begins to count down. When time is up, the fan will stop working and all lights and appliance will be off.

CLEANING AND STORAGE

- Ensure the appliance is power-off and unplugged before cleaning and storage.
- Use a soft cloth to clean away any dust or debris from the surface of the appliance and air inlet/ outlet.
- Please use a dry cloth to wipe the dust on the 3-IN-1 HEPA the filter regularly, DO NOT wash the 3-IN-1 HEPA filter.
- DO NOT use a vacuum cleaner to clean the 3-IN-1 HEPA filter
- After cleaning and make sure the appliance completely dry out, put on the bag and place it in a cool and well-ventilated place.
- DO NOT use abrasive, corrosive or flammable cleanser (such as bleach or alcohol) to clean any part of the appliance.
- Filter replacement alert: please refer to page 5 for details.

NOTE

- DO NOT drop or immerse any water into the appliance when clean the air outlet.

TROUBLESHOOTING

PROBLEM	CAUSE	SOLUTION
Not working	The power connection is unreliable;	Make sure the adapter connect with power supply effectively
	HEPA filter need to replace	Replace new HEPA filter, please refer to page 5-Installation Filter.
Poor performance	Too much dust in the surface of filter;	Clean the filter or replace a new filter. Refer to page 5 Installation filter part or page 7 Cleaning and storage part.
	Obstacle blocking the air inlet/ outlet	Remove the obstacles. Refer to page 7 Cleaning and storage part.
Significant noise	Stuck something on the fan in the air outlet	Remove the obstacles.
Coming out nasty smell	The HEPA filter is dusty;	Clean the filter or replace a new filter. Refer to page 5 Installation filter part or page 7 Cleaning and storage part.
	Burning smell emits form the appliance	Unplug the power socket and contact our after-sales customer service centre for assistance.
The reminder of replacing filter is still flashing after user have replaced a new one	Have not reset the appliance	Press and hold the power On/ Off touch button to reset the appliance and the life counter of the filter will start. Refer to page 5-Installation filter
Other abnormal situation	Unknown reasons	Restart the appliance.

If the above investigation fails to solve the problem, please contact our after-sales service. Do not disassemble the machine by yourself.

PRODUCT SPECIFICATIONS

Product model no.: GAP23G

Adaptor input: 100-240V AC 50Hz/ 60Hz

Adaptor output: 24V DC 1.2A

Main unit power: 23W

Product dimensions: 195(Diameter) x 388(H) mm

* The final product specification may be varied according to a different lot of material and actual input voltage power of the usage area.

閱讀下列說明事項並請妥善保管，以供日後參考。

安全指引 - 一般安全

- 請按照這些說明事項，使用本產品。
- 本產品僅供家用，不作商業用途。
- 使用前，請將所有包裝材料拆除。
- 0至8歲的兒童不應使用本產品。
- 超過8歲的兒童可使用本產品，但請勿由肢體不健全、感覺或精神上有障礙或缺乏相關經驗和知識的人使用，除非有負責他們安全的人對他們使用本產品進行監督或指導。
- 請務必看顧好兒童，以確保他們不玩耍本產品。
- 兒童不應清潔或維修本產品。
- 當需進行任何維修，必須由專業維修人員進行維修。永遠不要嘗試自己修理本產品。
- 手濕時不可以接觸電源插頭或本機。
- 主機不可以浸入水中。
- 兒童不可以把玩本機。
- 本機開著後不可以無人監管。
- 只使用隨機附送的配件。

安全指引 - 電子和熱能產品

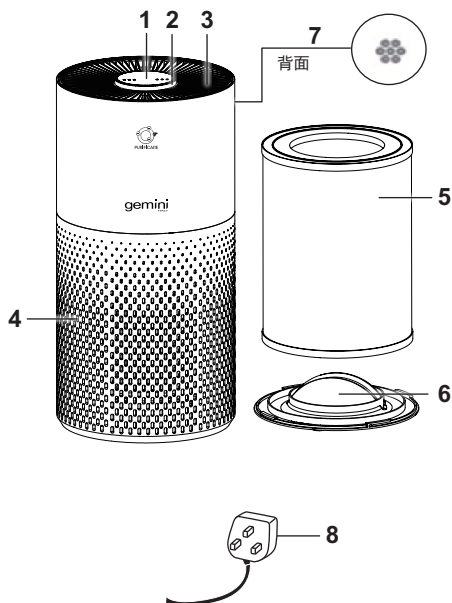
- 請把本產品放置和平穩的表面上使用。
- 使用相符的電源和電壓，以防止觸電。
- 本產品只能使用帶接地線的電源插座。
- 當本產品不使用時，請從牆上的插座中拔掉插頭。
- 從牆上插座中拔掉插頭時，應拿著插頭而不是電源線。
- 確保本產品、電源線和插頭不與水接觸。
- 確保本產品、電源線和插頭不接觸發熱表面，如明火。
- 定期檢查本產品的電源線以確保其沒有損壞。如果電源線損壞，請勿使用其產品，並須由專業維修人員來更換，以避免出現任何危險。

安全指引 - 操作期間

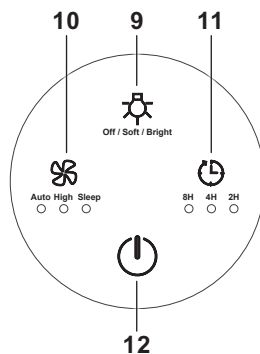
- 在使用產品時，產品背面及側面要保留至少30厘米的空間，產品頂部至少保留50厘米空間。
- 新產品使用前，請先將HEPA過濾網上的包裝材料拆除。
- 如果本產品落入水中，立即從牆身插槽中拔下插頭，並且不要再次使用本產品。
- 切勿將本產品、電源線或插頭浸入水中或其他液體中。
- 切勿用液體清洗或潑灑本產品，如水、清洗劑或易燃溶劑等，如需清潔，請將電源斷開，使用柔軟抹布擦拭。
- 請保持本產品周圍空氣暢通無阻，切勿覆蓋本產品的進風口/出風口及檢測空氣質量傳感器。
- 切勿使用不同規格的電源適配器，請使用本產品附帶的配件進行安裝。
- 清潔本產品時請參閱“清潔和保養”部份。

部件示意圖

主機



輕觸式控制面版



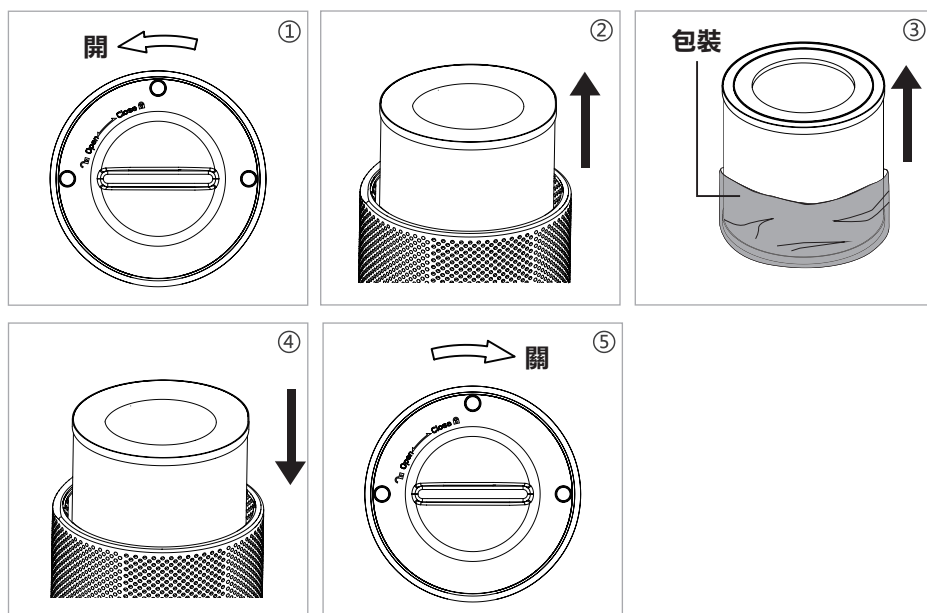
主機

1. 控制面版
2. LED 指示燈環
3. 出風口
4. 進風口
5. 3合1HEPA過濾網
6. 底座
7. 檢測空氣質量傳感
8. 火牛

輕觸式控制面版

9. LED 指示燈環輕觸感應鍵
10. 風速輕觸感應鍵(自動/高檔/睡眠)
11. 關機時間設定輕觸感應鍵(8小時/4小時/2小時)
12. 開啟 / 關閉輕觸鍵安裝過濾網

安裝過濾網



- 輕輕倒轉本機，將底座朝上。握住其手柄推向“OPEN”方向旋轉底座並打開底座(圖1)
- 從本機中取出 3合1 HEPA過濾網。(圖2)
- 將 3合1 HEPA過濾網上的包裝材料拆除。(圖3)
- 將該 3合1 HEPA過濾網安裝本機內。(圖4)
- 將底座安到本機，握住其手柄推向“CLOSE”方向旋轉底座並擰緊底座。(圖5)

警告

- 在本產品使用先，請先將 3合1 HEPA過濾網的包裝材料拆除。
- 確保先從電源插座上拔下本機的插頭，然後再拆除/安裝 3合1 HEPA過濾網。

更換3合1過濾網

- 當指示燈環的LED紅燈直閃爍時，代表需要更換3合1過濾網。
- 若更換新的3合1HEPA過濾網，連接電源後，需長按開/關輕觸感應鍵 5秒，以解除更換過濾網的LED紅色閃爍提示燈。

注意：

- 當用戶首次使用本機時，安裝好新開的濾網，不需要進行更換濾網重設。
- 為了達到最佳效能，建議在3 - 6個月左右更換新的3合1過濾網。

使用說明

開啟/關閉輕觸感應鍵 ⏴

- 觸摸一次開啟/關閉輕觸感應鍵，聽到“嗶”一聲，本機預設高檔模式運行，鍵下的白色指示燈相應亮起。
- 再按一次，聽到“嗶”一聲，本機熄滅，全部指示燈熄滅並關機。

風速輕觸感應鍵 ⌘

- 在開機狀態，每觸摸一次，會聽到“嗶”一聲，風速在Sleep-High-Auto (睡眠/高檔/自動)之間循環，對應指示燈亮白燈。
- 自動模式時，風速會自動根據周圍空氣質素調節相關風速。
- 紅色LED燈環:空氣質素差(自動調節風速至內置的高檔設定)
- 黃色LED燈環:空氣質素正常(自動調節風速至內置的中檔設定)
- 藍色LED燈環:空氣質素良好(自動調節風速至內置的低檔設定)
- 高風速模式:連接電源，LED環燈在藍色，青色，綠色，黃色，紅色，紫色之間漸變，約30秒後，本機會探測室內空氣質量程度自動顯示空氣質素為LED燈環(藍色/黃色/紅色)，但風速保持在高風速模式。
- 睡眠模式在低風扇速度下運行，紫色漸變LED環燈約3秒，本機會探測室內空氣質量程度自動顯示空氣質素為LED燈環(藍色/黃色/紅色)，如果不進行操作約5秒，所有指示燈將熄滅。按下任何按鍵都可以喚醒LED環燈。

LED燈輕觸感應鍵 ✨

- 在工作期間，觸摸一次LED燈輕觸感應鍵，聽到“嗶”一聲，調整柔和或明亮亮度的LED指示燈。
- 再按一次，聽到“嗶”一聲，LED環燈熄滅。

注意: 在關機狀態下，不可調節LED環燈輕觸感應鍵。

關機時間設定輕觸感應鍵 ⏵

- 在工作期間，觸摸一次關機時間設定輕觸感應鍵，聽到“嗶”一聲，本機在8H、4H和2H(小時)之間循環，對應指示燈亮白燈。
- 再按一次，定時器指示燈熄滅，在沒有設定關機定時狀態下，本機將連續工作。
- 若開啟關機定時功能，本機開始倒計。達至設置關機時間時，風扇將停止工作，所有指示燈將熄滅。

清潔和保養

- 確保在儲放前，先拔下電源插頭及關機。
- 使用軟布清除本機表面和進氣口/出口上的灰塵或碎屑。
- 請使用一塊乾布，定期清潔HEPA過濾網上的灰塵。切勿水洗HEPA過濾網。
- 切勿使用吸塵器清潔HEPA過濾器
- 完成清潔後，等本機完全風乾後，將它放在袋子上，然後放在陰涼通風的地方。
- 切勿使用研磨性，腐蝕性或易燃的清潔劑（例如漂白劑或酒精）清潔本機的任何部分。
- 更換3合1濾網：請參照第12頁內容。

注意：

擦拭進氣口/出口時，不能有水滴落進入本機內部。

疑難排除

問題	原因	解決方法
無法開啟	電源連接不良	確保火牛有效地連接電源
	HEPA過濾網需要更換	更換新的HEPA過濾網。請參考第12頁HEPA過濾網安裝部分
出風口的氣流減弱	過濾網表面太多灰塵	清潔或更換新的HEPA過濾網。請參考第12頁HEPA過濾網安裝部分或14頁清潔及保養部分
	進/出風口有異物阻塞	將異物取出。請參考第14頁清潔及保養部分
噪音過大	有異物卡住出風口內的風扇	將異物取出
發出難聞的氣味	HEPA過濾網太多塵	清潔或更換新的HEPA過濾網。請參考第12頁HEPA過濾網安裝部分或14頁清潔及保養部分
	若本機發出燒焦的氣味	請關機並從電源插座上拔下插頭。然後聯絡客戶服務中心尋求協助
已更換HEPA過濾網，但仍有更換過濾網提示	可能未重置過濾網設置	長按 開啟/關閉輕觸感應鍵，即可消除紅色LED燈。請參考第12頁HEPA過濾網安裝部分
其他異常情況	不知明原因	重新啟動本機

注意：

如果以上疑難未能解決問題，請聯繫本公司售後服務。請勿自行拆卸機器。

產品規格

產品型號：GAP23G

火牛輸入：100-240V 50Hz/ 60Hz

火牛輸出：24V 1.2A

主機功率：23瓦

產品尺寸：195(直徑) x 388(高)毫米

* 相關產品的規格，可能會因配件批次或實際使用地區的電壓差異而有所不同。

請記錄下列產品資料

- 型號

- 機身編號

- 經銷商名稱

- 購買日期

本產品不斷改進中，如功能有所更改，恕不另行通知，如有疑問，請與客戶服務中心聯絡，不便之處，敬請原諒。

說明書內容以英文版本為準

ToolBox Customer Service Centre 客戶服務中心：
4/F, DCH Building, 20 Kai Cheung Road, Kowloon Bay, Hong Kong
香港九龍灣啓祥道20號大昌行集團大廈4樓

Customer Service Hotline 客戶服務熱線：(852) 8210 8210
Service E-mail 電郵地址：8210service@gilman-group.com
Please register now at 請即上網登記：www.toolbox.hk
Website 網址：www.gilman-group.com



Proudly Serviced by:



太平家庭電器